



Data and Metadata Sharing and Exchange, Kigali, Rwanda : 18 to 21 September 2018

Biyi FAFUNMI

National Bureau of Statistics, Abuja, Nigeria

Outline



- Background
- Data & Metadata Sharing and Exchange
 - History, partner and process
 - Motivation and Driving Initiatives
- Challenges
- Conclusion

+

BACKGROUND

Data & Metadata Sharing and Exchange

Understanding the Nigeria Statistical System for data sharing and Exchange

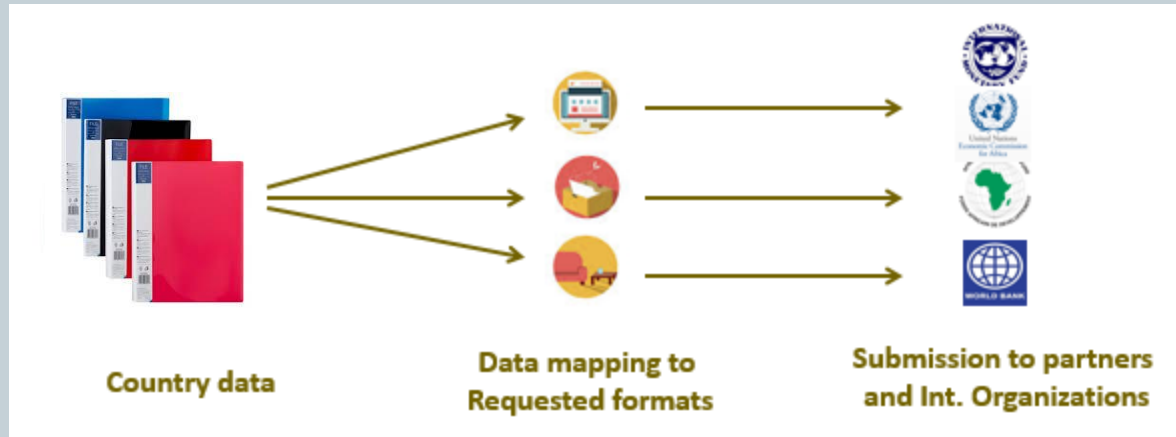


- The Statistics Act 2007 established a National Statistical System (NSS)
- The NSS comprises of data producers, suppliers of administrative records, analysts; and users.
- Producers and Suppliers include NBS as coordinator, State Statistical Agencies (SSAs)/State Bureau of Statistics (SBS), PRSDs in Federal Ministries, Departments and Agencies (MDAs); PRSDs in State MDAs, Statistics Units of Local Government Councils (LGCs), Households and Establishments. Central Bank of Nigeria and National Population Commission
- Analysts and Users include Policy and Decision maker, Researchers and Academicians in Universities, Research Organisations, Corporate Planning Units of Public and Private Sector Organisations and Non-Government Organisations (NGOs), International Organisations, Students, Media etc.
- Data shared with and between these agencies

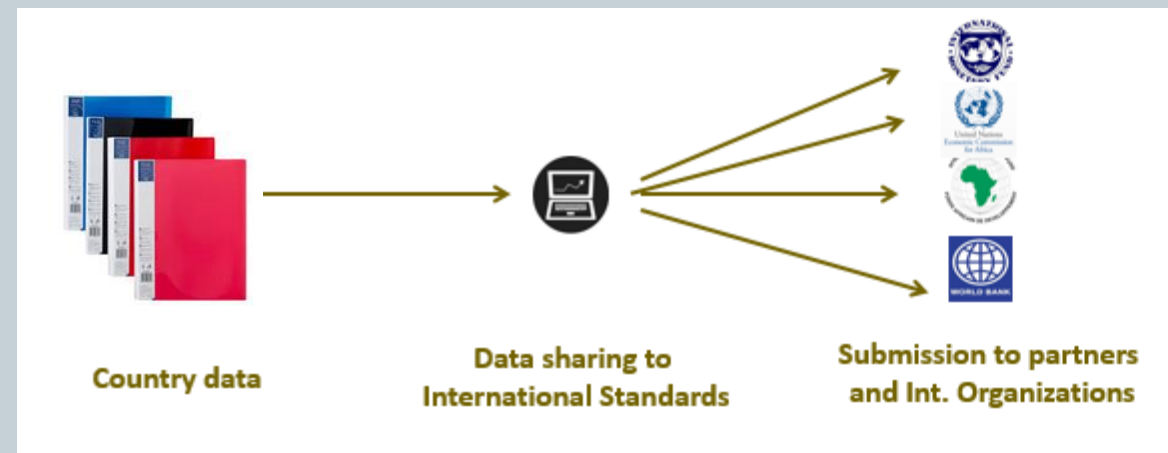
How it was ➤ How it should be



As it used to be

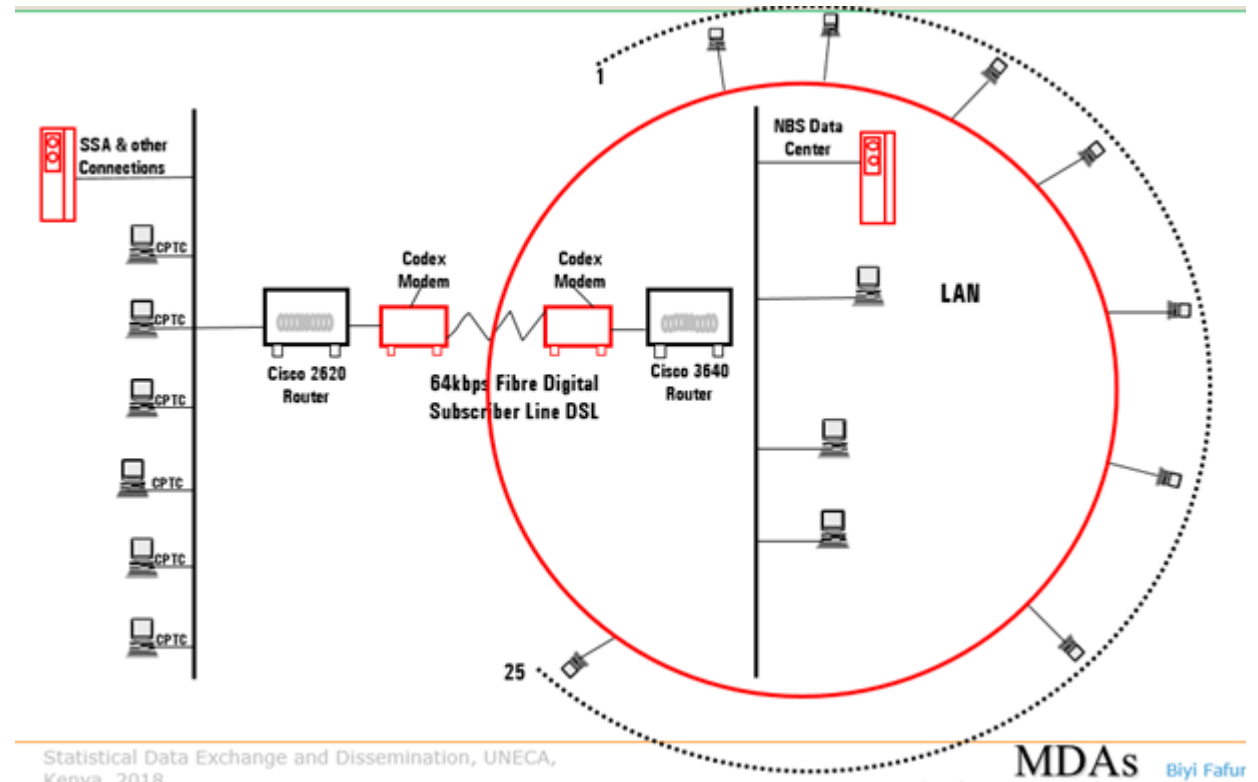


As it is



Develop Statistics Grid

- Inter Ministerial Committee on Harmonization and Exchange of Official Stat
- Interconnectivity of MDAs
- Adoption of Mobile data collection.
- MDAs sign Bond on Data Dissemination
- Shared data as Open Data, metadata and methodology as well shared
- ICT Policy for the entire NSS



Participation

- Pilot MDAs were selected this include FMF, CBN, Office of the Accountant General, NBS, Budget Office and Debt Management office.
- Each participating MDA are require to:
 - committed to using the adopted standard;
 - appoint a desk officer ; and attend review meetings
 - Prepare metadata that describe there respective data produce and disseminated as official statistics, and
 - MDA are requested to update their metadata as at when there is significant changes in their statistical practices or plans for improvement take place.

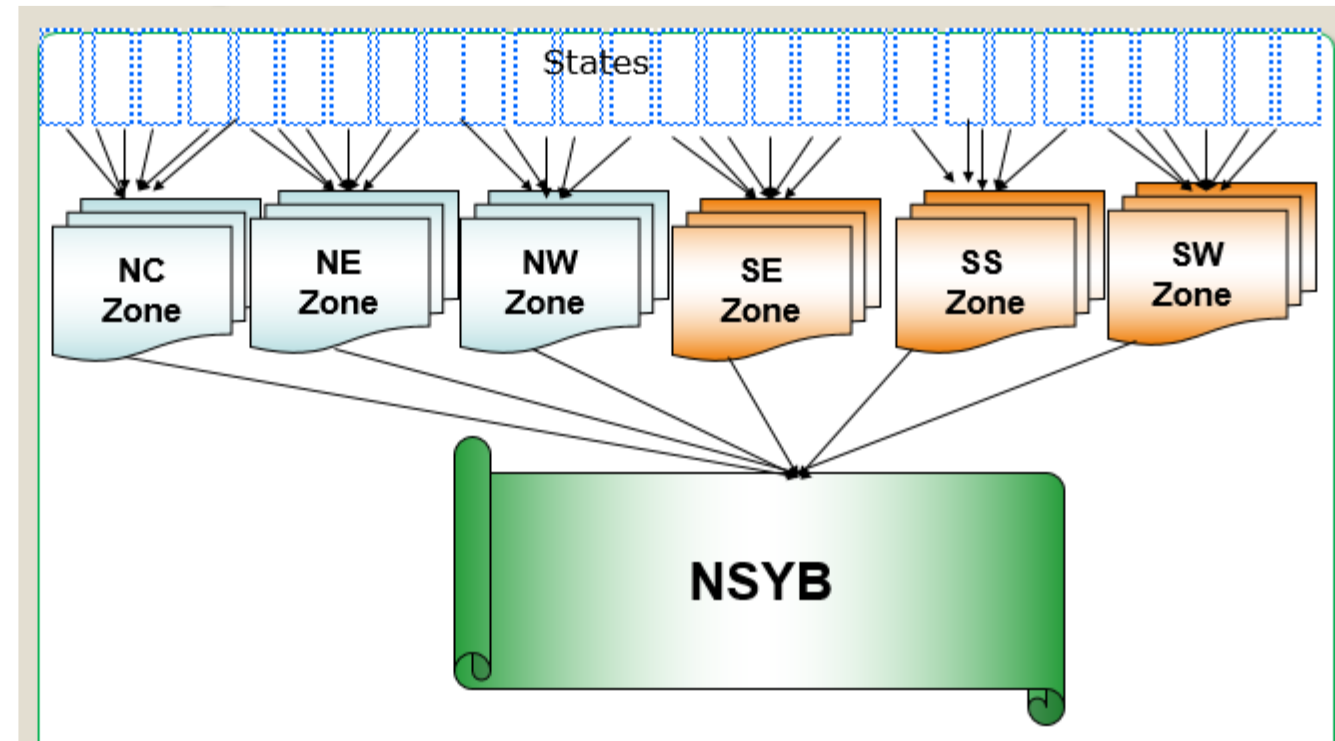
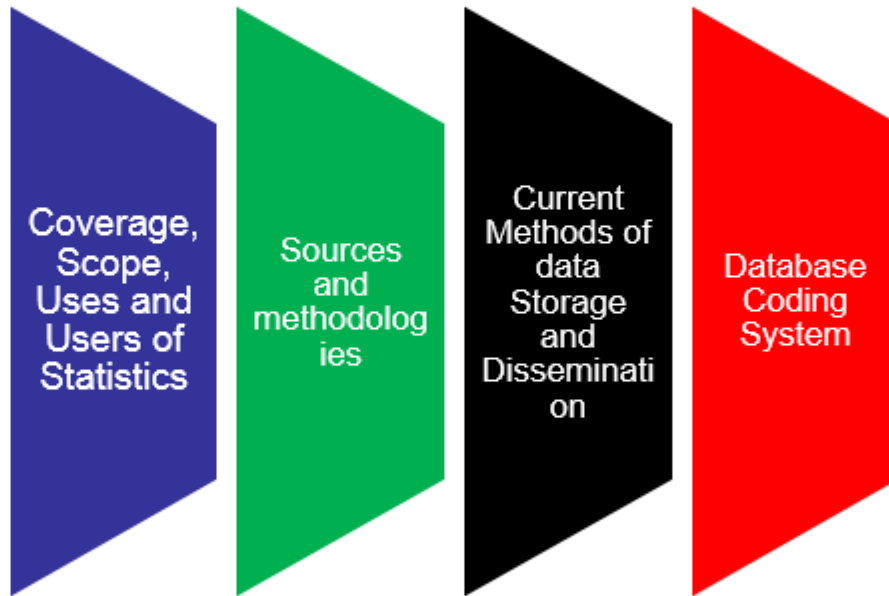


Vehicles of running SDMX standard and interoperability



- At Federal Level Compendium of Statistical Terms, definition, concepts and methodology

- At Subnational Level SSYB Template



Initiative and motivation



- NBS data users includes Policy Maker, Media and all International agencies including Schools and research organizations
- The Data and Metadata sharing and exchange initiative was introduced to Nigeria by these international organizations
 - International Monetary Fund
 - OECD
 - AfDB
 - World Bank
 - ECA

Data and Meta Data Sharing & Exchange Implementation



- AfDB OpenData Initiative
- IMF GDDS/SDDS and NSDP
- OECD/World Bank DDI for microdata management
- UNECA ASYB

Sector currently Data Format



☐ Real Sector

National accounts

Production index - manufacturing

Production index - non-manufacturing

Employment

Unemployment

Wages/earnings

Consumer price index

Producer price index

☐ Fiscal Sector

General government or public sector operations

Central government operations

Central government debt

☐ Financial Sector

Depository corporations survey

Central bank survey

Interest rates

Stock market

☐ External Sector

Balance of payments

External debt and debt service schedule

Official reserve assets - Gross

Merchandise trade

International investment position (IIP)

Exchange rates

☐ Socio-demographic Data

Population

Health

Education

- Most of our database are Relational databases so it make it very easy to use in SDMX data exchange
- CPI & GDP in an Excel spreadsheet were mapped to a DSD and extract data from the spreadsheet into an SDMX file
- Other files such as CSV were map and convert as well

Use of Web Portal as a Platform for Data Sharing and Exchange

NBS

www.nigerianstat.gov.ng





Learning about Statistics can be easy as 1, 2, 3! Start Now!

1 2 3 4 5 6



- Latest Reports
- Transport Fare Watch (May 2018) (Transport) **24**
 - CPI and Inflation Report May 2018 (CPI and Inflation Reports) **323**
 - Liquefied Petroleum Gas (Cooking Gas) Price Watch (May 2018) (Petroleum) **52**

Do you know?

2018 Q1 GDP growth recorded at -1.04% — GDP

In nominal terms, the Public Administration sector grew by -1.27% in Q1 2018, lower by 12.00% points from the corresponding quarter of 2017 and lower by 1.84 points relative to Q4 2017. Quarter-on-Quarter, the sector grew by -16.34%. — GDP

Nominal growth in the Education sector in the first quarter of 2018 was 1.61% (year-on-year), down by 12.31% points from the growth of 13.92% reported in the corresponding quarter of 2017, but up by 0.24%

FISCAL STATISTICS JAN - JULY 2017

Revised Oil and Gas Data 2014-2017

Year	Crude Oil Production (BBL)	Natural Gas Production (BSCF)	Natural Gas Export (BSCF)	Rig Count	Exploratory & Development Wells	Finished Products From Refinery			Consumption of Petroleum Product (Based on truck out data)			
						PMS (MT)	AGO (MT)	HHK(MT)	PMS (ML LP)	AGO (ML LP)	HHK (ML LP)	Pipe Vans
2014	798 645 585	2 485	1 124	45	141	542 359	608 604	459 166	17 059	2 215	2 884	0.7
2015	779 458 592	2 590	1 242	25	116	260 787	200 114	144 554	17 780	2 250	2 090	2.8
2016	661 085 662	2 518	1 142	9	76	921 095	669 202	998 421	17 408	2 902	919	2.5
2017	690 011 529	2 806	1 227	10	76	1 150 552	870 868	535 072	18 958	4 748	944	1.0



NBS MOBILE APP



Download our mobile app.

DATA PORTALS

NBS OPEN DATA

NADA

NBS/IMF NSDP

KEY INDICATORS

Month-on-month	0.83 %
Year-on-Year	18.33 %
12 Month Avg. Chg	14.2 %

CPI - All.
October 2016

Month-on-month	0.75 %
Year-on-Year	18.1 %
12 Month Avg. Chg	13.76 %

CPI - Core.
October 2016

Month-on-month	0.86 %
Year-on-Year	17.09 %
12 Month Avg. Chg	13.82 %

CPI - Food.
October 2016

By Expenditure	2.11 %
Final Household Consumption	-1.24 %
Capital Formation	-4.37 %

GDP.
Q4 2015

Unemployment	13.3 %
Underemployment	19.3 %
Youth Unemp/Underemp	49.5 %

Unemployment/Underemployment.
Q2 2016

Average PMS Price	N145.9
State with Highest Price	Yobe (N150.0)
State with Lowest Price	Osun (N144.3)

Premium Motor Spirit.
October 2016

Click on a state to access



[Biyi Fafunmi, see 19](#) × [Dr Yemi Kale \(@sgy\)](#) × [NATIONAL BUREAU](#) × [Trade Partners Map](#) × [Home - Nigeria Hea](#) × [Home - Nigeria Hea](#) × [Nigeria Data Portal](#) × [Biyi](#)

[nigeriaforeigntrade.opendataforafrica.org/luckyoy/trade-partners-map](#)

[Apps](#) [Lenovo Recommend](#) [How To Fix Laptop's](#) [SDGs .. Sustainable](#) [Celebrating Women](#) [Home - Data2x](#) [Nigeria-Citations](#) [Clearone Online Res](#) [RW](#) [Windows Update 80](#)

EN FR Sign Up Login

NIGERIA FOREIGN TRADE MONITOR

[HOME](#) [MAPS](#) [DASHBOARDS](#) [STATISTICS](#)

[Twitter](#)
[Facebook](#)
[Google+](#)
[Link](#)

Legend Location

- 1,800 - 400,000
- 400,000 - 3,700,000
- 3,700,000 - 230,000,000
- 230,000,000 - 8,000,000,000

▶ 2014 2016 2017

Source: [UN Comtrade: Merchandise trade by Commodity, HS - As Reported](#)
 Last updated: Friday, 22 January 2016 Author: [Alina Buzanakova](#)

See also

Nigeria Total Trade Flows

Nigeria Trade Partners' Profile

Top 20 Exporters by Product

Nigeria Top Trade Partners

Terms & Conditions Content is Managed by
 2018 All Rights Reserved

04:42 PM
 6/17/2018




OpenData for The National Bureau of Statistics, Nigeria Login Sign Up

[Home](#) [Data Catalog](#) [Gallery](#) [NSDP](#)

National Summary Data Page (NSDP)

Data linked from this page correspond to data described in the International Monetary Fund's DSBB. For a fuller explanation of the DSBB and the enhanced General Data Dissemination System in which Nigeria participates, please visit the [DSBB home page](#).

Macroeconomic and Financial Data 

National Accounts (GDP)	Browse Data	Download in SDMX	DSBB Metadata
Consumer Price Index	Browse Data	Download in SDMX	DSBB Metadata
General Government Operations			
Central Government Operations	Browse Data	Download in SDMX	DSBB Metadata
Central Government Gross Debt	Browse Data	Download in SDMX	DSBB Metadata
Depository Corporations Survey	Browse Data	Download in SDMX	DSBB Metadata
Central Bank Survey	Browse Data	Download in SDMX	DSBB Metadata
Interest Rates	Browse Data	Download in SDMX	DSBB Metadata
Stock Market	Browse Data	Download in SDMX	DSBB Metadata
Balance of Payments	Browse Data	Download in SDMX	DSBB Metadata

External Debt	Browse Data	Download in SDMX	DSBB Metadata
Official Reserve Assets	Browse Data	Download in SDMX	DSBB Metadata
Merchandise Trade	Browse Data	Download in SDMX	DSBB Metadata
International Investment Position	Browse Data	Download in SDMX	DSBB Metadata
Exchange Rates	Browse Data	Download in SDMX	DSBB Metadata

Macroeconomic and Financial Data: Encouraged Data

Production Index		DSBB Metadata
Labor Market	Browse Data	Download in SDMX DSBB Metadata
Producer Price Index		
Financial Soundness Indicators	Browse Data	Download in SDMX

Demographic and Selected Socio-Economic Indicators

Population	Browse Data	Download in SDMX DSBB Metadata
------------	-----------------------------	--



NigeriaInfo

Easy interpretation of data in spatial format
tables, maps, graphs

DevInfo 6.0 - New MDG1

NigeriaInfo

Database New MDG1

Data

	Time Period	Area ID	Area Name	Indicator	Data Value	Unit	Subgroup	Source
▶	2007	AFRNGA001	Abia	Births attended by skilled health personnel	88.6	Percent	Total	MDG Office_MDG Indicator_2008
▶	2007	AFRNGA002	Adamawa	Births attended by skilled health personnel	62.3	Percent	Total	MDG Office_MDG Indicator_2008
▶	2007	AFRNGA003	Akwa Ibom	Births attended by skilled health personnel	77.0	Percent	Total	MDG Office_MDG Indicator_2008
▶	2007	AFRNGA004	Anambra	Births attended by skilled health personnel	100.0	Percent	Total	MDG Office_MDG Indicator_2008
▶	2007	AFRNGA005	Bauchi	Births attended by skilled health personnel	43.2	Percent	Total	MDG Office_MDG Indicator_2008
▶	2007	AFRNGA006	Bayelsa	Births attended by skilled health personnel	61.3	Percent	Total	MDG Office_MDG Indicator_2008
▶	2007	AFRNGA007	Benue	Births attended by skilled health personnel	63.2	Percent	Total	MDG Office_MDG Indicator_2008
▶	2007	AFRNGA008	Borno	Births attended by skilled health personnel	46.9	Percent	Total	MDG Office_MDG Indicator_2008
▶	2007	AFRNGA009	Cross River	Births attended by skilled health personnel	77.4	Percent	Total	MDG Office_MDG Indicator_2008
▶	2007	AFRNGA010	Delta	Births attended by skilled health personnel	67.4	Percent	Total	MDG Office_MDG Indicator_2008
▶	2007	AFRNGA011	Ebonyi	Births attended by skilled health personnel	92.5	Percent	Total	MDG Office_MDG Indicator_2008
▶	2007	AFRNGA012	Edo	Births attended by skilled health personnel	74.4	Percent	Total	MDG Office_MDG Indicator_2008

Title

Percent - 2007

Area Name	Births attended by skilled health personnel	Children 1 y immunized against measles
Abia	88.60	
Adamawa	62.30	
Akwa Ibom	77.00	

Children 1 year-old immunized against measles - Percent Total 1 yr

Percentage of Birth Att Percent - 2007

Selected (74)

Microdata Access Dissemination



Biyi Fafunmi | Site administration | Profile | Password | Logout

nbs
NATIONAL BUREAU OF STATISTICS

THE FEDERAL REPUBLIC OF NIGERIA

The Nigeria Microdata Management Platform

NBS Home Home What's New Acknowledgements Our Mission Policy and Procedure Data Catalog Citations Contact

Home > Central Data Catalog

Central Data Catalog

Found 38 studies out of 38

Sort results by: Country | Year | Title | Popularity

Showing 1-15 of 38 studies

- General Household Survey-Panel 2010-2011 (PostHarvest), First Round (Wave one)**
Nigeria, 2011
By: National Bureau of Statistics (NBS) - Federal Government of Nigeria (FGN)
Created on: Mar 21, 2012 Last modified: Jun 12, 2013 Views: 75 Downloads: 8
- Integrated Supportive Supervision Survey 2011, Third round**
Nigeria, 2011
By: Federal Ministry of Health (FMOH) - Federal Government Of Nigeria(FGN)
Created on: Aug 29, 2012 Last modified: Jun 12, 2013 Views: 0 Downloads: 0
- Multiple Indicator Cluster Survey (MICS4)-2011 Nigeria, Fourth round**
Nigeria, 2011
By: National Bureau of Statistics (NBS) - Federal Government of Nigeria (FGN)

Nigeria - General Household Survey-Panel 2010-2011 (PostHarvest), First Round (Wave one)

Reference ID	NGA-NBS-GHS-PANEL-2010-2011-v1.0	Created on	Mar 21, 2012
Year	2011	Last modified	Jun 12, 2013
Country	Nigeria	Page views	79
Producer(s)	National Bureau of Statistics (NBS) - Federal Government of Nigeria (FGN)	Downloads	8
Sponsor(s)	Federal Government of Nigeria - FGN - Funding Bill and Melinda Gates Foundation - BMGF - Funding World Bank - WB - Funding		

Metadata [Documentation in PDF](#) [Download DDI](#) [Download RDF](#)

Study Description Data Dictionary **Get Microdata** Related Materials

Overview

Identification

COUNTRY
Nigeria

TITLE
General Household Survey-Panel 2010-2011 (PostHarvest)

SUBTITLE
First Round (Wave one)

STUDY TYPE
Living Standards Measurement Study [hh/lsm]

SERIES INFORMATION
The GHS - Panel survey is a subsample of the annual GHS cross section survey conducted by NBS. GHS - Panel survey is the first wave of a long-term project to collect panel data on households, their characteristics, welfare and their agricultural activities. The GHS -Panel will be conducted every two years. This first wave consists of two visits to the household: the post-planting visit (August - October 2010) occurred directly after the planting season to collect detailed information on household characteristics including preparation of plots, inputs used, labour used for planting and other issues related to the planting season. The post-harvest visit (February-April 2011) occurred after the harvest season and collected additional information on household characteristics along with information on crops harvested, labour used for cultivating and harvest activities, and other issues related to the harvest cycle. The survey is the result of a partnership that NBS has established with the Federal Ministry of Agriculture



Analytics & Visualization



Challenges

- Highly disaggregated dataset mandated by the framework are not generally available
- Some specific indicator disaggregation are yet to be developed
- Global SDMX need to be customizable to address the meet the adaptation for sub national needs
- Low capacity within the NSS to champion the initiative





Thank you

Biyi Fafunmi

Head of ICT Department

National Bureau of Statistics

Biyaafunmi@nigerianstat.gov.ng